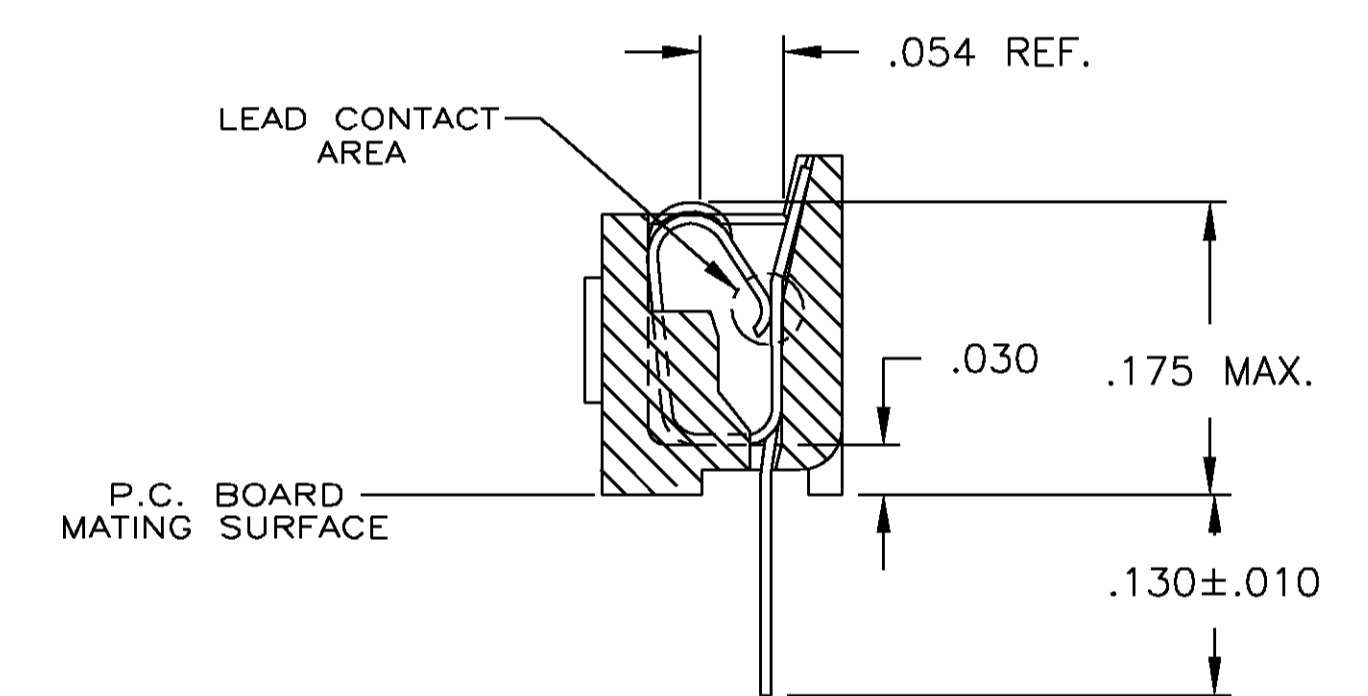


SECTION A-A
ROTATED 90° CW
SCALE 10:1
FOR -6, -7 & -8 ONLY



SECTION A-A
ROTATED 90° CW
SCALE 10:1
FOR -1, -2 & -3 ONLY

- RECEPTACLE ACCEPTS AN .008-.014 THK LEAD.
- TWO .000030 MIN. THK. GOLD STRIPES IN CONTACT AREA, TIN-LEAD(93-7) ON CONTACT LEGS, BALANCE OF CONTACT NICKEL PLATED.
- TWO .000015 MIN. THK. GOLD STRIPES IN CONTACT AREA, TIN-LEAD(93-7) ON CONTACT LEGS, BALANCE OF CONTACT NICKEL PLATED.

CONTACT FINISH	CONTACT MAT'L	HOUSING MATERIAL	PART NO.
TINNED	PHOS.BRZ.	GLASS-FILLED THERMOPLASTIC, 94V-O, BLACK	643648-8
OBSOLETE	BE.CU.	GLASS-FILLED THERMOPLASTIC, 94V-O, BLACK	643648-7
OBSOLETE	TINNED	BE.CU.	GLASS-FILLED THERMOPLASTIC, 94V-O, BLACK
SUPSD BY 643648-2	PHOS.BRZ.	GLASS-FILLED THERMOPLASTIC, 94V-O, BLACK	643648-4
TINNED	PHOS.BRZ.	GLASS-FILLED THERMOPLASTIC, 94V-O, BLACK	643648-3
OBSOLETE	BE.CU.	GLASS-FILLED THERMOPLASTIC, 94V-O, BLACK	643648-2
TINNED	BE.CU.	GLASS-FILLED THERMOPLASTIC, 94V-O, BLACK	643648-1

THIS DRAWING IS A CONTROLLED DOCUMENT.		DRW M. CYRUS 8-1-84	AMP Tyco Electronics Corporation Harrisburg, PA 17105	
DIMENSIONS: INCHES		CHK BLONES 7-3-84	J. GRAY 7-10-84	
TOLERANCES UNLESS OTHERWISE SPECIFIED:		PRODUCT SPEC 108-1066		
0 PLC ± .005		APPLICATION SPEC 114-1049		
1 PLC ± .005		SIZE A1		
2 PLC ± .005		CAGE CODE 00779		
3 PLC ± .005		DRAWING NO. 643648		
4 PLC ± .005		RESTRICTED TO		
ANGLES ± .5		SCALE 5:1		
MATERIALS TABLE SEE TABLE		SHEET 1 OF 1		
FINISH SEE TABLE		REV M		
CUSTOMER DRAWING				